



Before You Start:

Please familiarize yourself with all the steps before beginning assembly.

Installation information:

- Approximate installation time: 1 – ½ hours
- This product is easiest to install with: 2 people

Compatibility Info:

This Door System is designed to work with other Seizmik branded Accessories for the John Deere Gator XUV & HPX as well as OEM John Deere branded hard tops. Please note Seizmik cannot guarantee fitment with other branded aftermarket products. Please research installation details thoroughly on our products & others when trying to combine different branded accessories.

Seizmik makes Windshields, Mirrors, Cab Systems, Light Bars, Storage Boxes, Hood Racks, and other great accessories for UTV's to maximize the vehicles usefulness. To help you do what you do better.

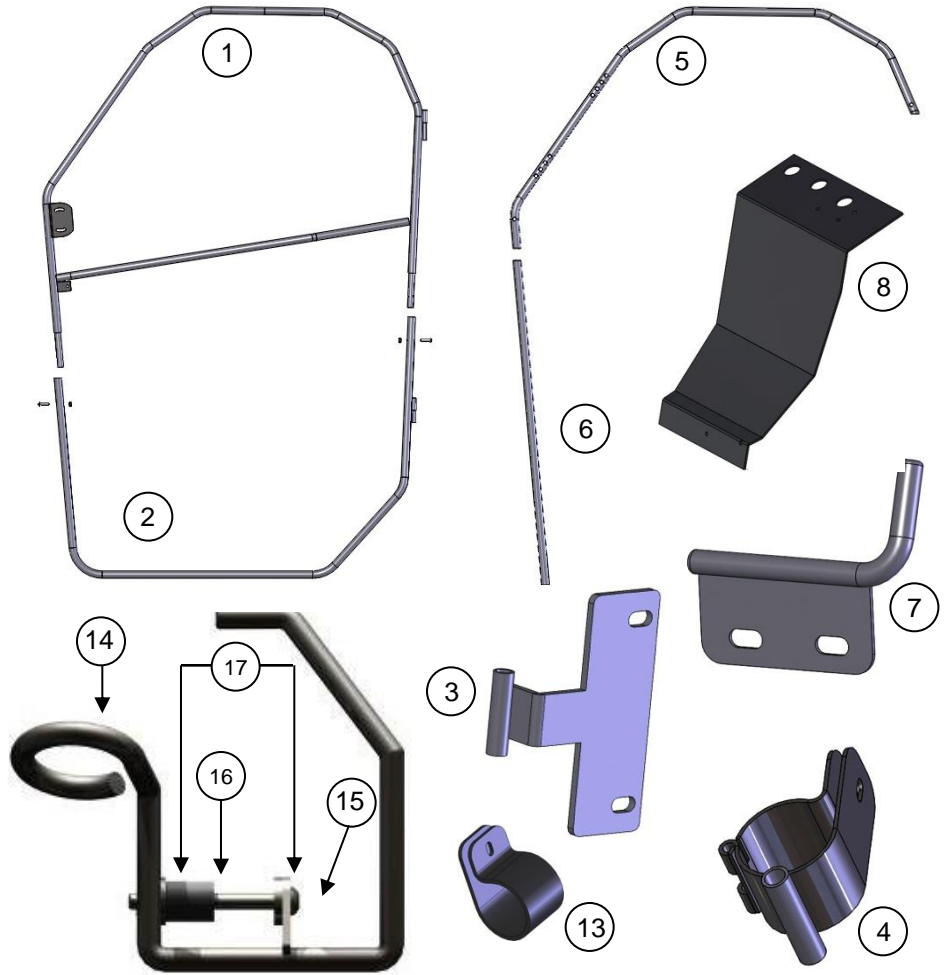
If you have any questions, comments, need assistance, or are missing parts, please call 1-866-838-3366 xt.110 between 9:00AM and 5:00PM EST. Or email us at support@seizmik.com. Visit www.seizmik.com for more information on our products.

Gator XUV & HPX Parts List



Components & Hardware:

Item	Description	Qty.
1	Upper Door Frame	2
2	Lower Door Frame	2
3	Lower Door Hinge	2
4	Upper Door Hinge	2
5	Door Side Frame Upper	2
6	Door Side Frame Lower	2
7	Lower Door Frame Mount	2
8	Plastic Dust Panel	2
9	M8 Washers	8
10	M8 Locking Nuts	8
11	M8x20 Button Head Bolt	8
12	M6 Washers	10
13	ROPS Clamp	6
14	Door Handle	2
15	1/4-20 x2.5" Bolt and Nut	2
16	Door Handle Spacers	4
17	1/4 Washers	8
18	M6x20 Button Head Bolt	2
19	M6x25 Button Head Bolt	6
20	M6x35 Button Head Bolt	6
21	M6 Self Locking Nuts	14



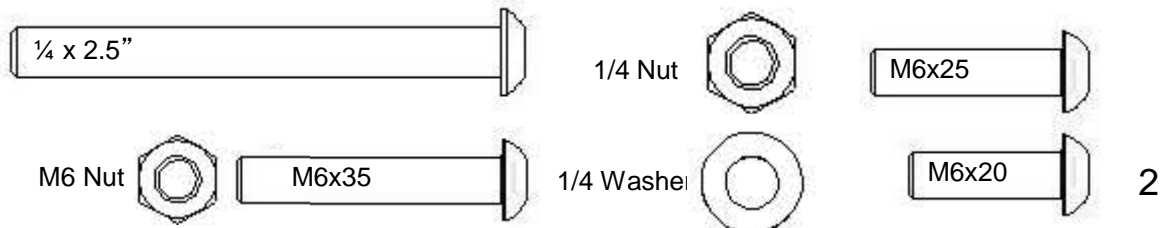
Textiles

- 1. Upper Pass Door
- 2. Lower Pass Door
- 3. Upper Driver Door
- 4. Lower Driver Door
- 5. Back Panel



Bolt Index

All shown full size
Use as a reference



Attaching Hinges and Mounts:

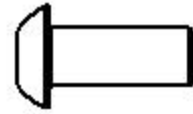
Things You Will Need For This Step:

Plastic ROPS Clamp

Upper Door Hinge

Lower Door Hinge

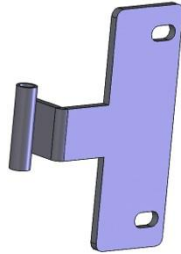
Lower Door Frame Mount



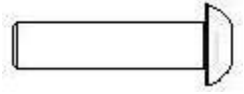
M8x20



M8 Nut



M6 Nut



M6x25



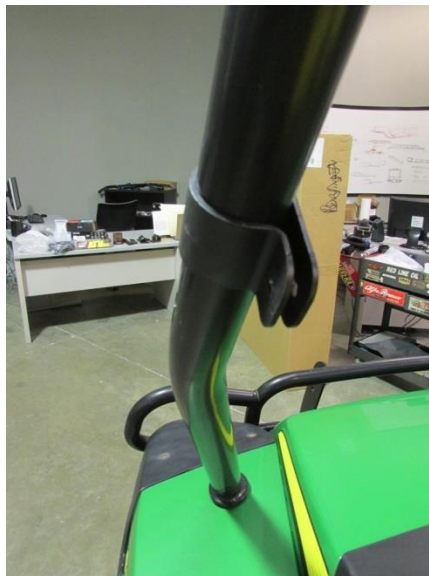
1. Begin by installing upper door hinge mounts (pass & driver side) loosely rear roll cage tube using M6x20, washers & nuts.



2. Install lower door frame mounts (driver and passenger) using the supplied M8x20 Bolts and locknuts.



3. Raise bed, then mount lower door hinges (driver & pass) using M8x20 bolts and nuts.

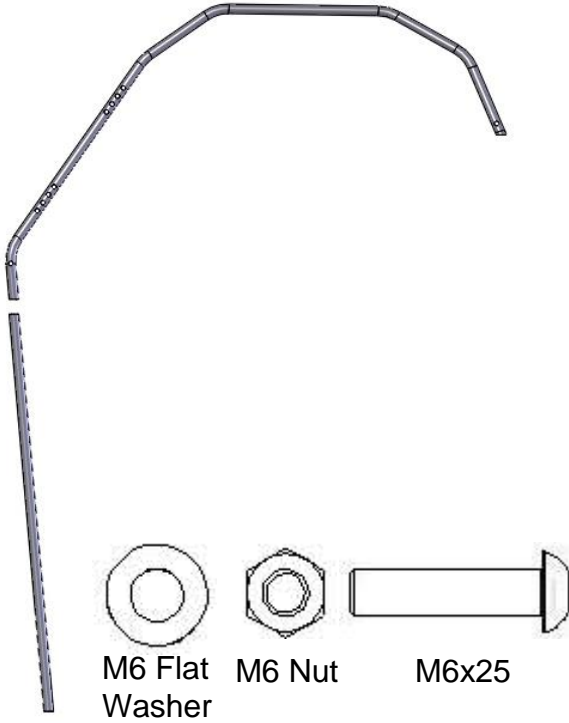


4. Snap the 6 (3 on each side) ROPS clamps onto the roll cage as seen below

Assembling and attaching Door frames:

Things You Will Need For This Step:

Door Side Frame Upper & Lower



Bend Orientation:

The doors and door frames are side specific and are bent tapering in towards the top.

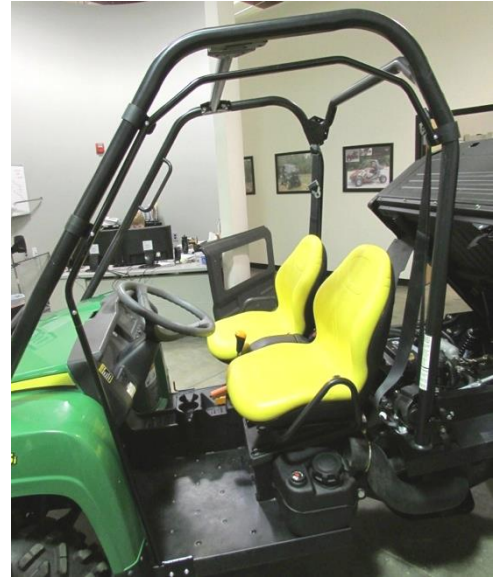
The correct orientation can be seen to the right. This view is as if you are standing behind the vehicle and looking forward.



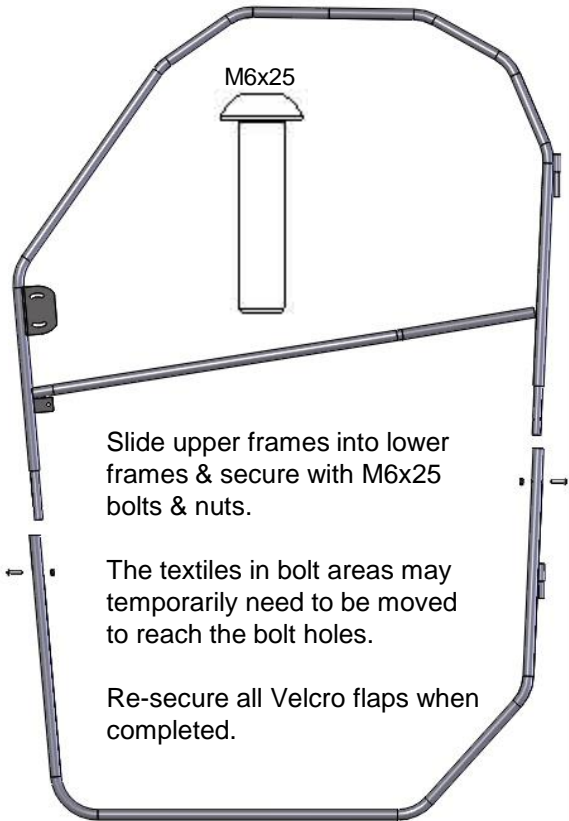
1. Bolt the upper & lower door side frames together with an M6x25 bolt & nut. Then insert the door frame onto lower door frame mount



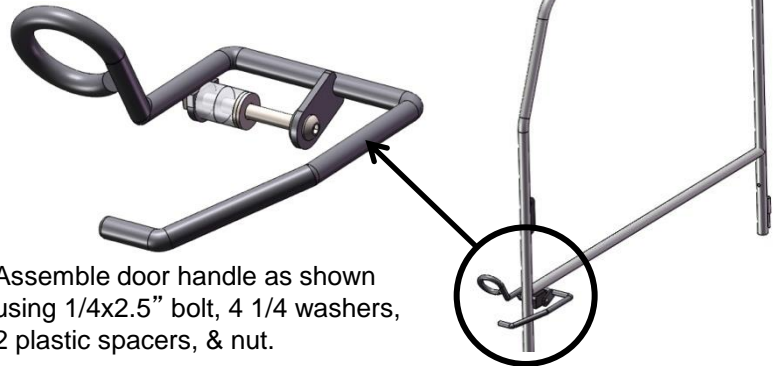
2. Bolt the Door frames to the ROPS clamps installed earlier using the M6x35 bolts and nuts provided.



Door Assembly



Door Handle Assembly



The 2 spacers & 3 washers will go on the interior side of the handle.

The 4th washer will go on the outside.

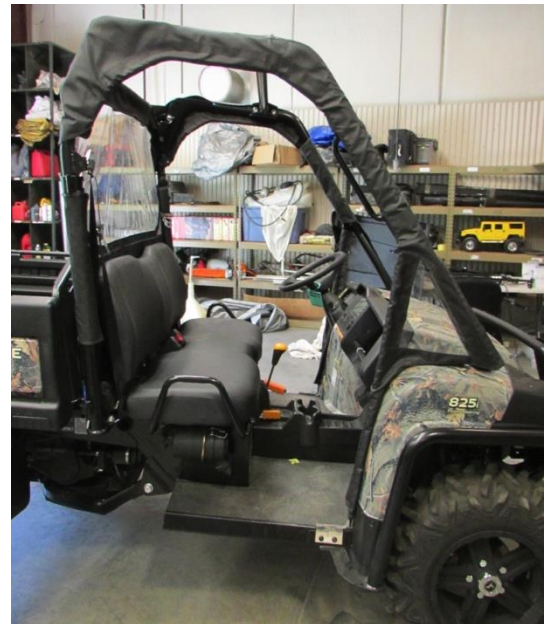
Install but do not tighten nut yet. When the textiles are on and the doors are installed, you can swap the washers around to adjust how tight the handle closes. When you are done adjusting, tighten the nut just enough so that the handle is not loose, but will just stay in any position.

Textile Installation:



1. Install the textile side panels over the door hangar frame by wrapping the Velcro flaps around the vehicle roll cage & the hangar frame assembly.

Tip - Raise the dump bed for easier installation





2. Securely fasten all Velcro straps around roll cage



3. Pull straps over roll cage & buckle. Tug on straps to secure the Side Panels tight.

***Note: Compression straps route under hard tops**

4. Note Velcro on inside edges of side panels along roll cage, & on lower body. Peel off self adhesive backing & stick to roll cage & body.



IMPORTANT!

Wipe roll cage bars and body with rubbing alcohol to remove dirt & grease.

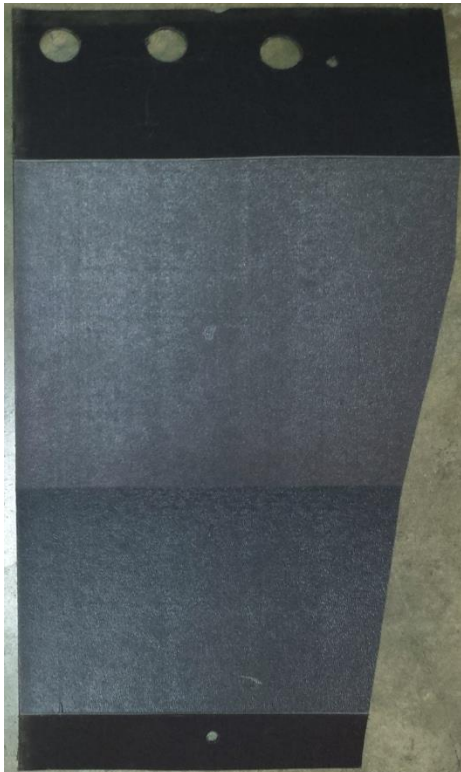
Mounting the Doors:



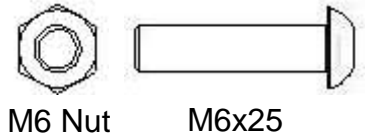
Mount the doors by guiding the pins in the back of the door frame onto the hinge barrels along the Rear Hangar Bar. Some Adjustment to the upper hinge may be necessary.

Installing the Plastic Dust Panels:

Driver Side Dust Panel



Passenger Dust Panel



Zip Ties

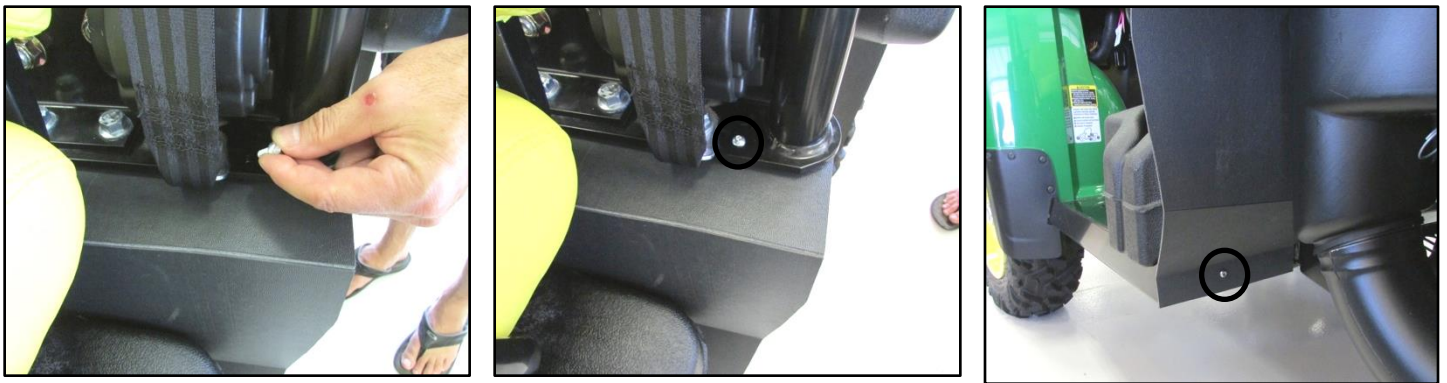


1. Begin by locating the passenger and driver side dust panels. The Driver side panel has one more bend than the passenger side panel.

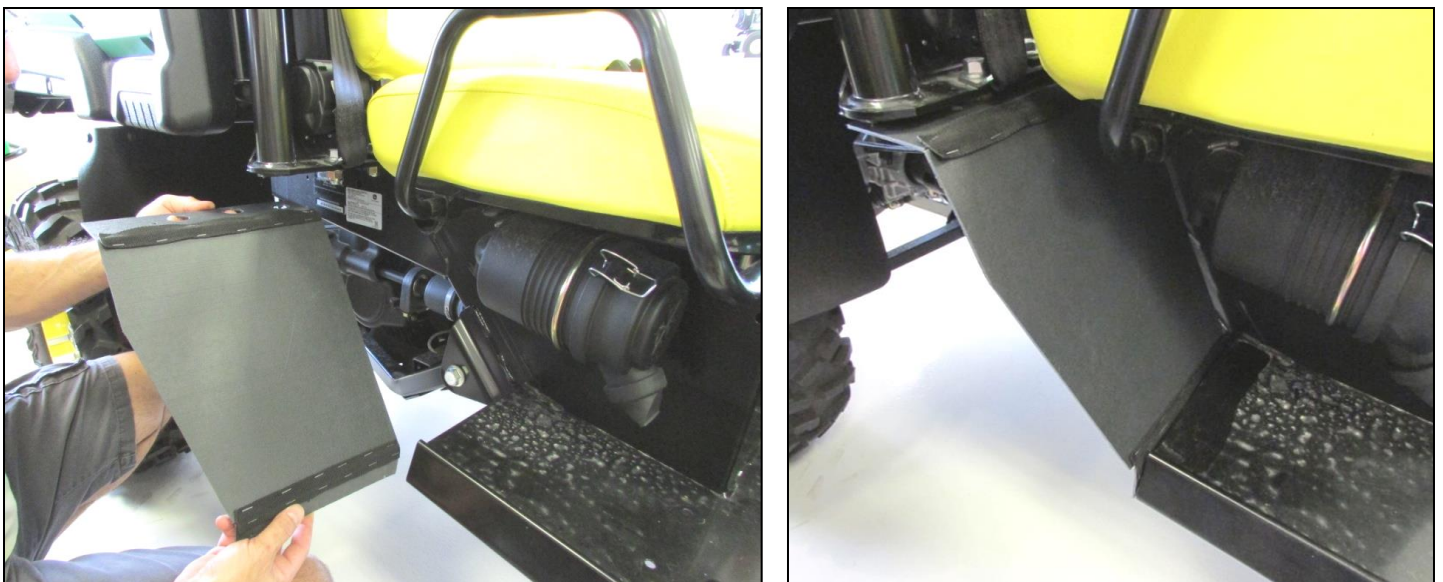
Installing the Plastic Dust Panels:



2. Position the Driver Side dust panel into place. The three large holes will go around the three large roll cage bolts.



3. Use the provided M6x25 bolts and nuts to fasten the panel to the vehicle, one on top and one on the bottom.



4. Repeat the procedure for the passenger side panel

Installing the Plastic Dust Panels on 2012 and earlier:

The installation of the dust panels on the 2012 and earlier models is slightly different because of the lack of mounting holes on the older models. Zip ties will be utilized instead of M6 bolts.



1. All steps are the same except zip ties will be used around the seat belt brackets instead.



2. Thread the zip tie up through the plastic panel & around seat belt bracket. Tighten & trim excess.



3. Run zip tie as shown and secure/trim. Clean the floor pan where the lower tab of the dust panel will lay and adhere the Velcro to the floor pan.

Accessories Installation:

Installing Windshields with this Door System:

IMPORTANT: Please review the outlined procedure as not all windshield mounting systems are the same & yours may require a different approach to working with this door system.

There are two fundamentally different ways to mount the system:

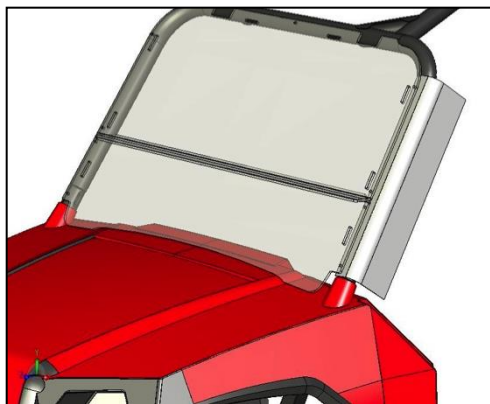
1. If you have a full 1pc Windshield:
 - Mount the windshield first, then Velcro the side panels directly over the side edges of your windshield.
2. If you have a Half Windshield or 2pc. setup like a Versa Shield or similar :
 - It is best to mount the side panels directly to the front roll cage bars, then mount the windshield over the side panels. You will need to cut out notches in the side panels to accommodate the P-Clamps or Straps that mount the windshields.
3. Other windshields:
 - Other types of windshields may require different approaches to combining with this door system.

The following procedure is based on item 2 above. Fully familiarize yourself with the sequence. If you study your windshields mounting procedure, you will be able to retrofit according to your specific requirements.

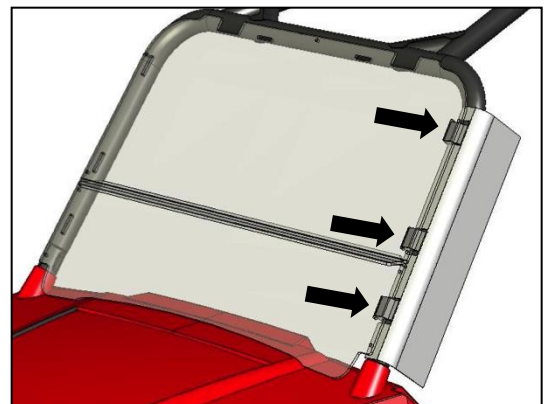
Versa-Shield Windshield P/N23048 (not included):



1. Mount side panel cab sections positioned correctly & taught.



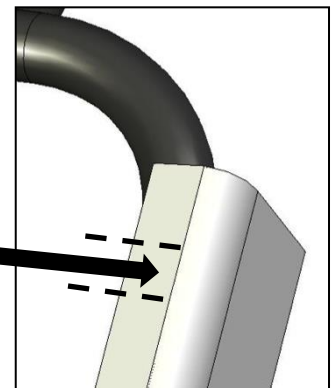
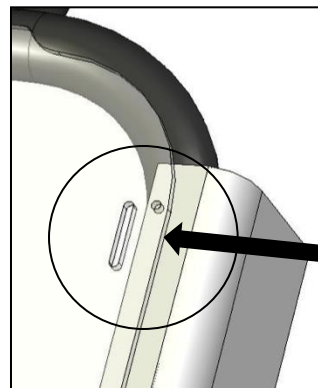
2. Lay the windshield in position noting location of the slots where the mounting straps will go



3. Be sure to clearly note where the mounting straps/clamps will be positioned relative to the side panel

NOTE: You will cut the side panels – Ensure they are positioned correctly.

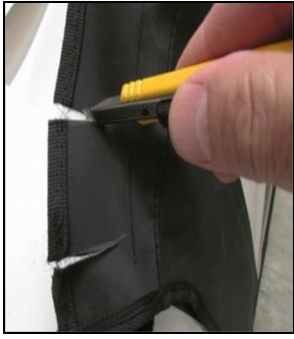
4. Mark the fabric where straps/clamps are located as this is where the side panel textile will need to have slots cut.



IMPORTANT: Carefully verify the windshield is positioned correctly when marking for the cuts!

Accessories Installation:

Versa-Shield Windshield (not included):

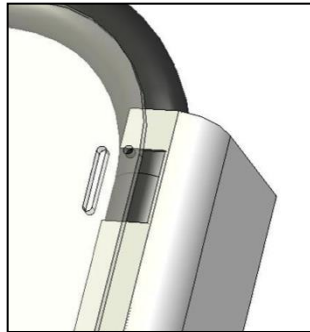


6. Mend the cuts with a lighter. Hold the flame on the material edge just long enough to melt the edge slightly. This will prevent the material fraying over time.

5. Cut 2 horizontal slits across the edge of the fabric to create tabs. Do not cut past the first vertical seam.



7. Fold cut flap back into panel



6. Install windshield on top of the side panels



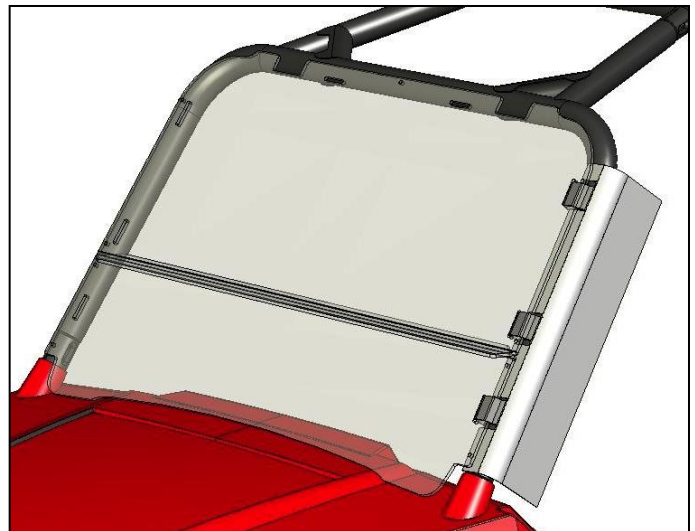
8. Install straps lacing through the flap opening to the inside of the cab & secure Velcro strap or P-Clamps. Reference Sezmik Versa-Shield Manual for Strap operation instructions..

SEIZMIK Hood Rack P/N 08052 (not included):



The side panel textile needs to be cut to accommodate the hood rack roll cage clamp / brackets.

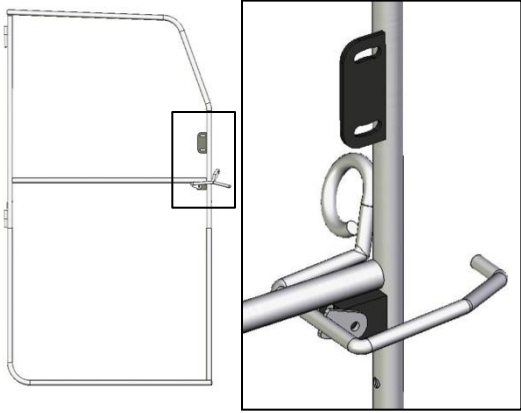
Follow the procedure outlined for the windshield strap / clamp and LED Light Bar.



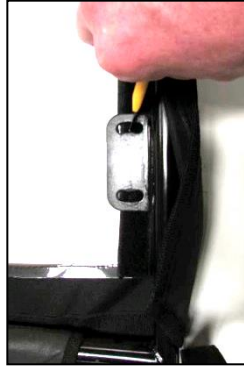
9. Adjust as required & secure straps tightly.

Accessories Installation:

SEIZMIK Side View Mirrors P/N18041 (not included):



The Upper Door Frame has provisions to mount SEIZMIK 18041 Side View Mirrors.



Locate plate behind inside Velcro flap & mark to punch holes in fabric.



Install mirror with supplied hardware. Adjust position as required.

TIP: Tension adjustment bolt to tighten mirror movement if required

SEIZMIK LED Light Bar P/N12030 (not included):



1. Mount bar to vehicle & verify position in correct
NOTE: Verify windshield hardware if applicable

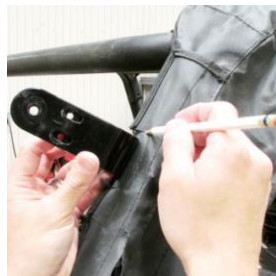


2. Mark position of light bar clamps on roll cage.



3. Remove bar & Install side panels to the front roll cage bars correctly.

NOTE: Verify position of side panels on the roll cage bars!!! You will cut the material & don't want to cut in the wrong location!!!



4. Reinstall side panels, verify light bar clamp position & mark fabric



5. Cut fabric across Do not cut past vertical seam



6. Cut fabric across Do not cut past vertical seam



7. Fold cut flap inside



8. Install light bar bracket & bar