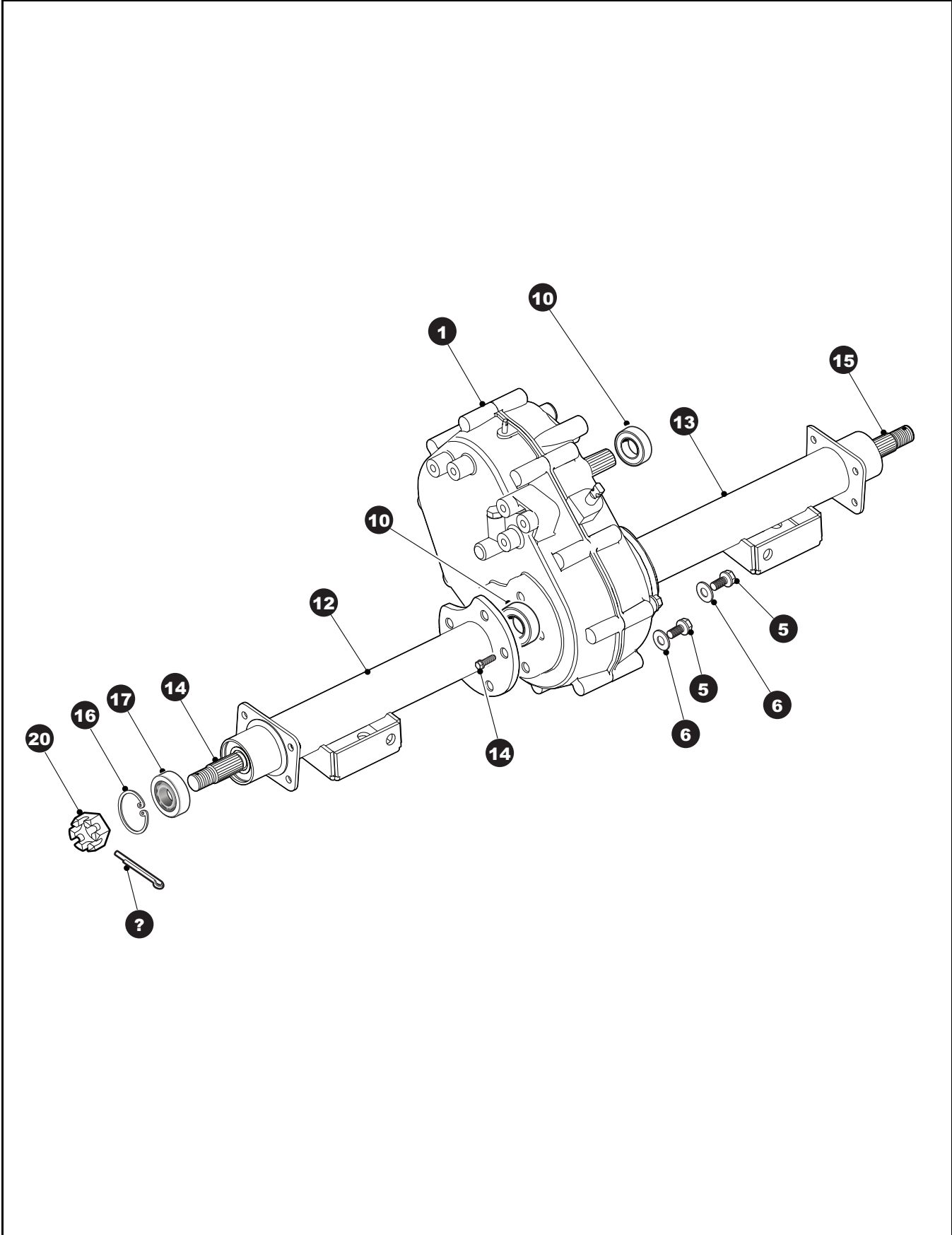


REAR AXLE



REAR AXLE

Where applicable, THE USE OF NON UL PARTS WILL VOID ANY UL LISTING.

When ordering parts, please specify the model and serial number of the product.

* Indicates a component that is not available as an individual part.

G** Indicates consult Customer Service Department for additional information.

ITEM	PART NO.	1 2 3 4 5	DESCRIPTION	QTY.
1	606423		REAR AXLE, (INCLUDES ITEMS 3 - 23)	1
2				
3	26770-G01		OIL CHECK PLUG.....	1
4	26771-G01		GASKET, 14 MM.....	1
5	26770-G01		OIL DRAIN PLUG	1
6	26771-G01		GASKET, 14 MM.....	1
7				
8	72259-G01		INPUT SHAFT OIL SEAL	1
9				
10	72259-G01		AXLE SHAFT OIL SEAL.....	2
11				
12	607969		AXLE TUBE (DRIVER SIDE).....	1
13	607960		AXLE TUBE (PASSENGER SIDE)	1
14	607987		AXLE SHAFT (DRIVER SIDE).....	1
15	607988		AXLE SHAFT (PASSENGER SIDE).....	1
16	26814-G01		RETAINING RING.....	2
17	26811-G01		BALL BEARING	2
18	72260-G01		FLANGED BOLT, M10 X 1.5 X 23 MM LG.....	10
19				
20	606403		SLOTTED NUT, M22 X 1.5	2