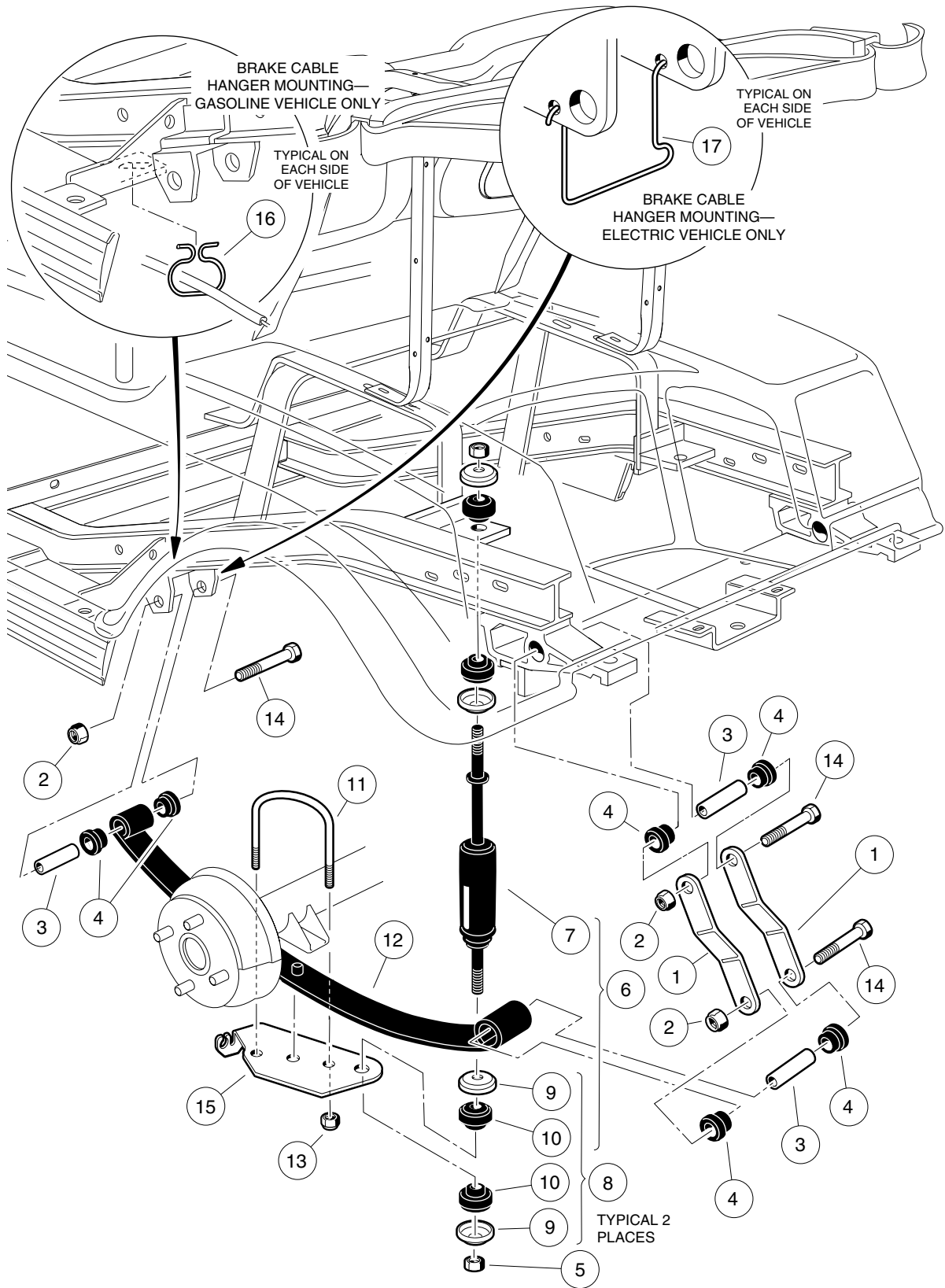


**5**  
**G**  
**E**



# REAR SUSPENSION

ITEM	PART NO.	DESCRIPTION	QTY GAS	QTY ELEC
		1 2 3 4		
1	1012304	Shackle, Rear Spring (gasoline vehicle) .....	4	
1	7569	Shackle, Rear Spring (electric vehicle) (not shown) .....		4
2	8754	Nut, Nylon Lock, 3/8-16 .....	6	6
3	1012303	Bushing, Steel .....	6	6
4	1015583	Bushing, Urethane .....	12	12
5	1010145	Nut, UNF Hex, 3/8-24 .....	4	4
6	1013164	Kit, Shock Absorber (includes items 7, 9, and 10) .....	1	1
7	1014236	Shock Absorber, Rear .....	2	2
8	1011415	Kit, Shock Absorber Cushion (includes 2 each of items 9 and 10) .....	4	4
9	N/A	Retainer, Shock Absorber Cushion .....	8	8
10	N/A	Cushion, Shock Absorber .....	8	8
11	1012180	U-Bolt .....	2	2
12	1012324	Spring, Rear Leaf (gasoline vehicle) .....	2	
12	1010974	Spring, Rear Leaf (electric vehicle) .....		2
13	1014555	Nut, Nylon Lock, 7/16-24 .....	4	4
14	8755	Screw, Hex Head Cap, 3/8-16 x 3-3/8 .....	6	6
15	1012182	Pad, Spring, Driver Side .....	1	1
15	1012181	Pad, Spring, Passenger Side .....	1	1
16	101900801	Hanger, Brake Cable (gasoline vehicle) .....	2	
17	1013207	Hanger, Brake Cable (electric vehicle) .....		2

5  
G  
E