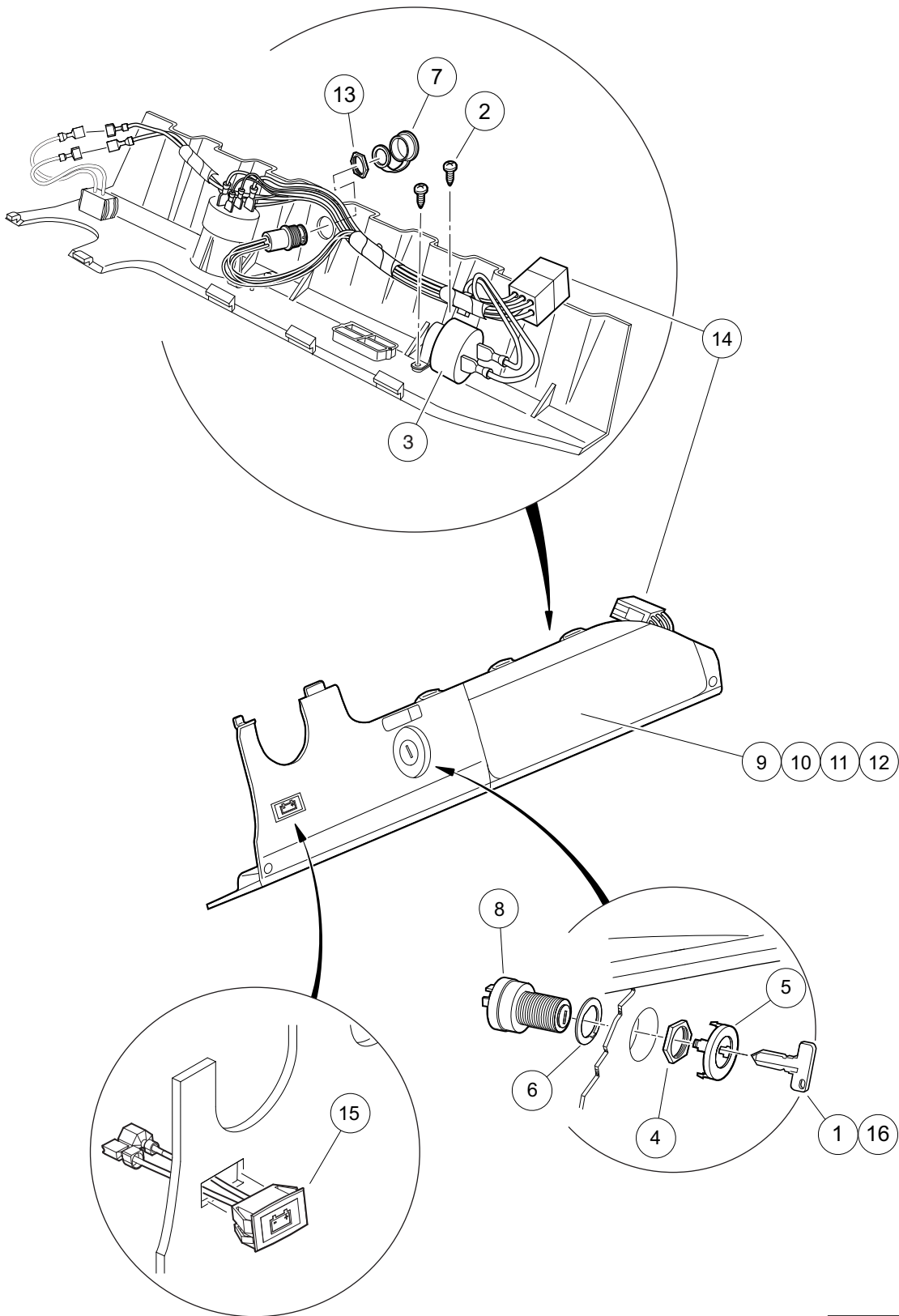


4
G
E



000490-004

INSTRUMENT PANEL – ELECTRIC VEHICLE WITH ERIC CHARGER

| ITEM | PART NO. | DESCRIPTION | QTY |
|------|-----------|-----------------------------------------------------------------------------------------|-----|
| | | 1 2 3 4 | |
| 1 | 1012505 | Keys (set of 2) | 1 |
| 2 | 1016849 | Screw, #4-24 X 0.33, Pan-Head, Machine | 2 |
| 3 | 1016851 | Buzzer, Reverse (9-48 VDC) | 1 |
| 4 | 101830701 | Nut, Key Switch | 1 |
| 5 | 101834502 | Cap, Black Key Switch | 1 |
| 6 | 101851101 | Washer, Key Switch | 1 |
| 7 | 102196901 | Dust Cap | 1 |
| 8 | 102508601 | Key Switch, Electric | 1 |
| 9 | 102522901 | Instrument Panel (standard) | 1 |
| 10 | 102536601 | Instrument Panel (with Hole for Headlight Switch) | 1 |
| 11 | 102536603 | Instrument Panel (with Hole for Battery Condition Indicator) | 1 |
| 12 | 102536605 | Instrument Panel (with Hole for Headlight Switch and Battery Condition Indicator) | 1 |
| 13 | 102572401 | Nut, Diagnostic Port, Prec | 1 |
| 14 | 103991501 | Harness, Wire, Instrument Panel, Prec w/Hi-Freq | 1 |
| 15 | 105152301 | Indicator, Charger, Dash, Cap | 1 |
| 16 | AM10079 | Bulk Std Keys (50) * | 1 |
| | | * Note: Must order in multiples of 50. | |

4
G
E