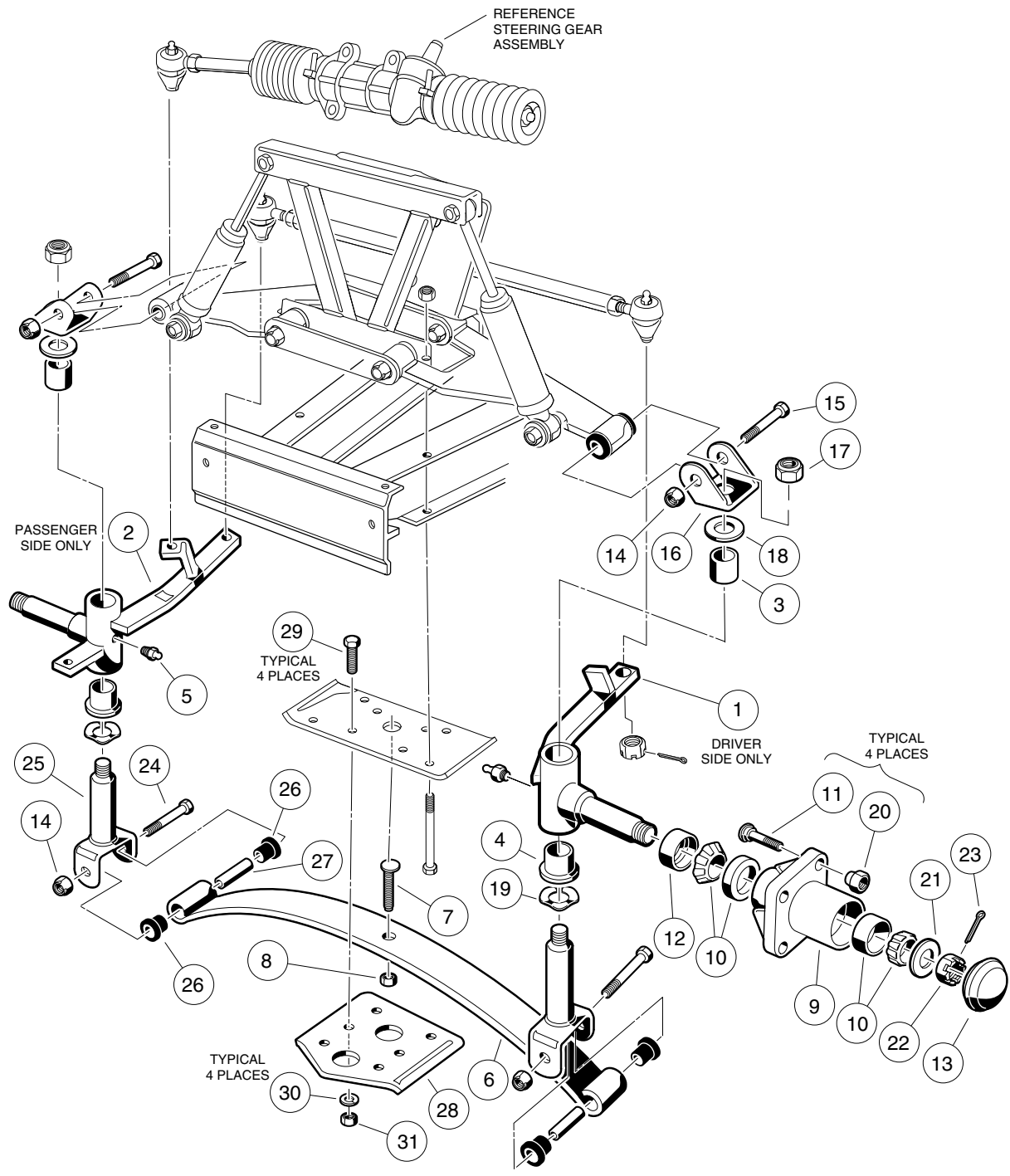


**5  
G  
E**



# FRONT SUSPENSION, LOWER

ITEM	PART NO.	DESCRIPTION	QTY
		1 2 3 4	
1	1010348	Assembly, Spindle, Driver Side (includes items 3, 4 and 5) .....	1
2	1010347	Assembly, Spindle, Passenger Side (includes items 3, 4 and 5) .....	1
3	8067	Bushing, Bronze Spindle .....	1
4	7048	Bushing, Bronze .....	1
5	1015597	Fitting, Grease, 1/4-28 .....	1
6	1012030	Spring, Tapered Leaf .....	1
7	8745	Assembly, Eccentric .....	1
8	706	Nut, Hex, 3/8-16 .....	1
9	1011892	Assembly, Hub (includes items 10 - 13) .....	2
10	1011393	Package, Hub Bearing .....	2
11	1011304	Stud, Lug, 1/2-20 .....	4
12	1013135	Seal, Double Lip .....	1
13	1011887	Cover, Dust .....	1
14	8754	Nut, Nylon Lock, 3/8-16 .....	4
15	1016387	Screw, Hex Head Cap, 3/8-16 x 2-3/4 .....	2
16	1016384	Clevis, Upper Delta .....	2
17	101903101	Nut, Nylon Lock, 1/2-20 .....	2
18	1010150	Bearing, Thrust .....	2
19	1016389	Washer, Kingpin Wave .....	2
20	1010984	Nut, Lug .....	8
21	1010005	Washer, Flat, 3/4 .....	2
22	7840	Nut, Hex Slotted, 3/4-16 .....	2
23	7910	Pin, Cotter, 5/32 x 1 .....	2
24	8755	Screw, Hex Head Cap, 3/8 - 16 x 3-3/8 .....	2
25	1016386	Kingpin .....	2
26	1015583	Bushing, Urethane .....	4
27	1012303	Bushing, Steel .....	2
28	1014276	Plate, Front Spring Retainer .....	1
29	1624	Screw, Hex Head Cap, 3/8-16 x 1-1/2 .....	4
30	357	Washer, Lock, 3/8 .....	4
31	706	Nut, Hex, 3/8-16 .....	4

**5**  
**G**  
**E**