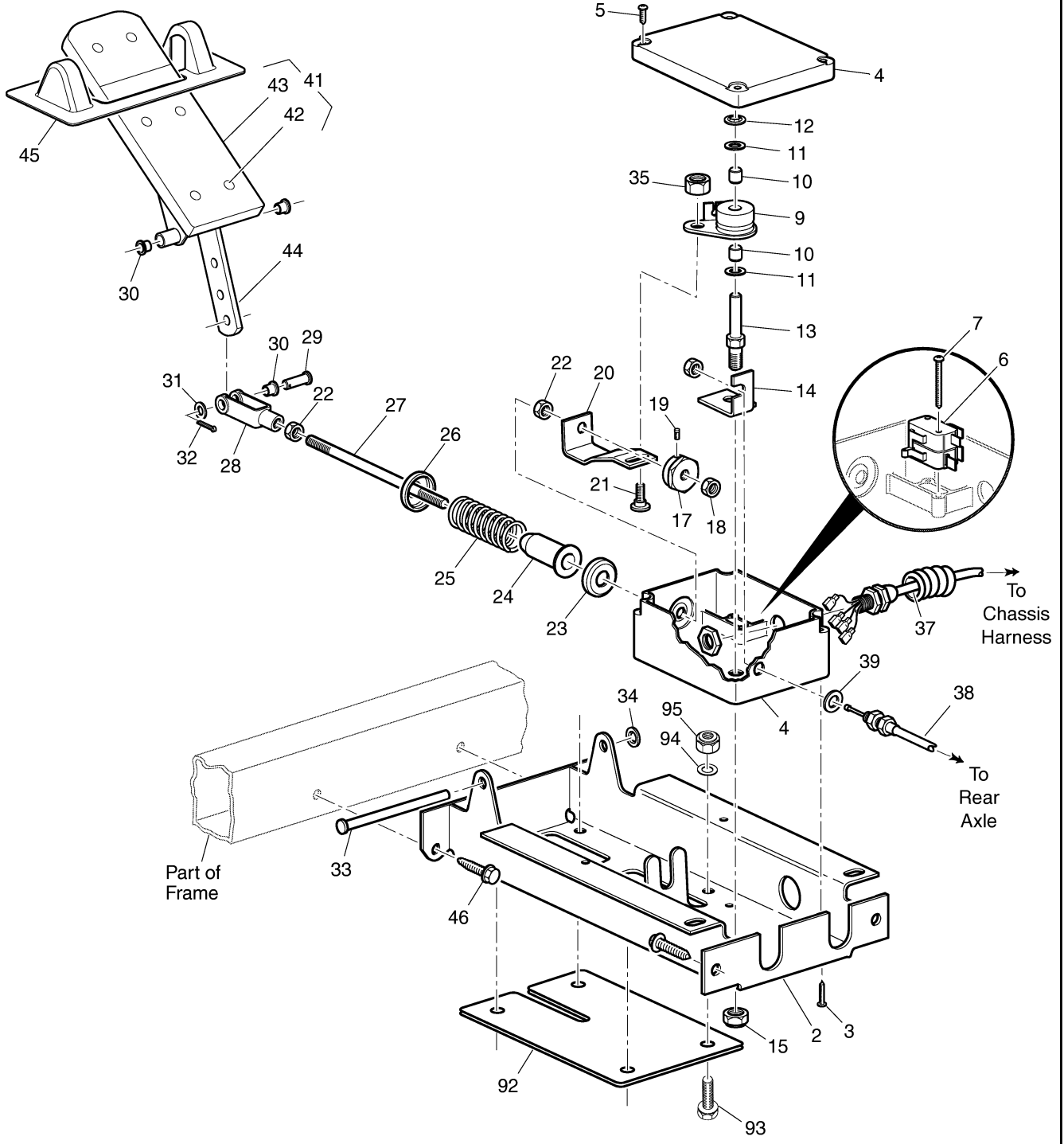
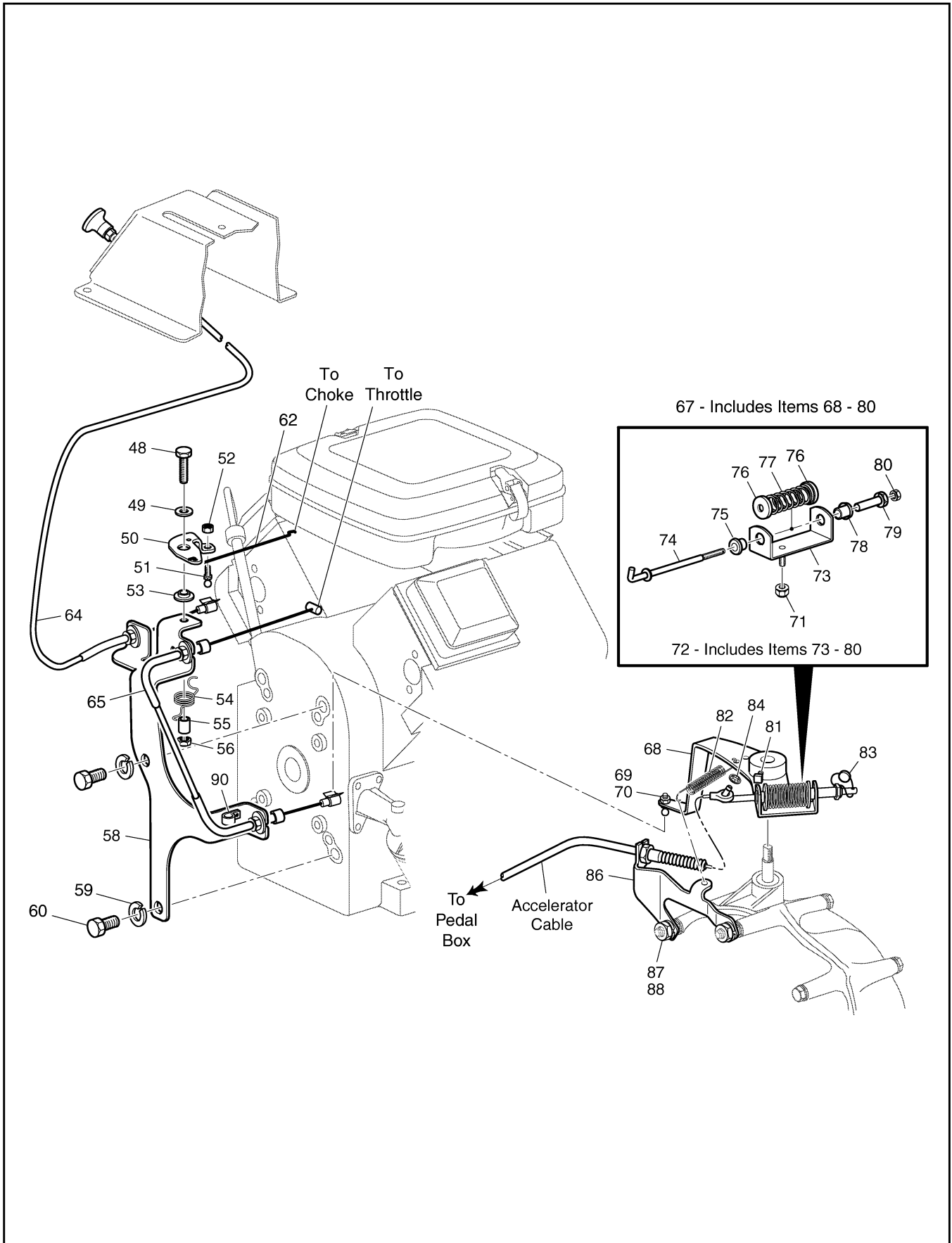


- 1 - Includes Items 2 - 44
- 40 - Includes Items 41 - 44
- 41 - Includes Items 42, 43





When ordering parts, please specify the model and serial number of the product.
 * Indicates a component that is not available as an individual part.
 G** Indicates consult Customer Service Department for additional information.

ITEM	PART NO.	1 2 3 4 5	DESCRIPTION	QTY.
1	75765-G03		PEDAL BOX ASSEMBLY (INCLUDES ITEMS 2 - 44)	1
2	70116-G01		ACCELERATOR PEDAL BRACKET	1
3	01051-G01		SCREW, #8 - 16 X 1/2" LG.....	4
4	25853-G02		PEDAL BOX AND COVER.....	1
5	00684-G6		SCREW, #8 - 32 X 3/4" LG.....	4
6	75652-G01		MICRO SWITCH	1
7	01050-G02		SCREW, #4 - 20 X 1 1/8" LG.....	2
8				
9	72066-G01		CONTROL ARM.....	1
10	23860-G1		BEARING	2
11	24621-G1		NYLON WASHER, 5/16"	2
12	12064-G1		PUSH NUT, 5/16"	1
13	25768-G01		PIVOT ROD.....	1
14	72199-G01		PIVOT BRACKET.....	1
15	14390-G1		LOCK NUT, 3/8 - 24.....	1
16				
17	72198-G03		MICRO SWITCH CAM	1
18	00550-G4		LOCK NUT, 5/16 - 24.....	1
19	00487-G3		SETSCREW, 1/4 - 20 X 3/8" LG.....	1
20	72074-G01		CONTROL ARM LINK.....	1
21	72225-G01		SHOULDER BOLT, #10 - 24 X 11/16" LG	1
22	00532-G4		LOCK NUT, 5/16 - 24.....	2
23	17677-G1		SPRING RETAINER.....	1
24	17979-G1		ACCELERATOR ROD BUSHING	1
25	73046-G01		COMPRESSION SPRING.....	1
26	17677-G2		SPRING RETAINER.....	1
27	72072-G01		ACCELERATOR ROD.....	1
28	10385-G4		CLEVIS YOKE (ADJUSTABLE)	1
29	10386-G3		CLEVIS PIN, 5/16" X 1" LG.....	1
30	17838-G1		NYLON BUSHING.....	3

When ordering parts, please specify the model and serial number of the product.

* Indicates a component that is not available as an individual part.

G** Indicates consult Customer Service Department for additional information.

ITEM	PART NO.	1	2	3	4	5	DESCRIPTION	QTY.
31	17255-G1						TEFLON WASHER, 5/16"	1
32	10387-G3						COTTER PIN, 3/32" X 3/4" LG	1
33	70134-G01						PEDAL PIVOT PIN	1
34	00986-G01						PUSH NUT, 9/32"	1
35	14390-G10						LOCK NUT, #10 - 24.....	1
36								
37	35679-G02						WIRE HARNESS (PEDAL BOX)	1
38	75639-G01						ACCELERATOR CABLE	1
39	00559-G8						WASHER, 5/16"	1
40	25799-G01						ACCELERATOR PEDAL ASSEMBLY (INCLUDES ITEMS 41 - 44)	1
41	27844-G01						ACCELERATOR PEDAL PAD KIT (INCLUDES ITEMS 42 - 43)	1
42	15766-G1						OVAL RIVET, 3/16" X 3/8" LG	6
43	27512-G01						ACCELERATOR PEDAL PAD	1
44	*						ACCELERATOR PEDAL	1
45	70135-G01						PEDAL PIVOT COVER	1
46	00715-G2						BOLT, 5/16 - 18 X 13/16" LG	4
47								
48	00415-G2						BOLT, 1/4 - 20 X 1 1/4" LG	1
49	00559-G7						WASHER, 1/4"	1
50	75679-G01						CHOKE PIVOT LEVER	1
51	15944-G1						BALL JOINT	1
52	00734-G5						LOCK NUT, #10 - 32	1
53	75677-G01						BUSHING	1
54	23577-G1						TORSION SPRING	1
55	23726-G7						SPACER	1
56	14390-G4						LOCK NUT, 1/4 - 20	1
57								
58	75651-G01						CHOKE AND GOVERNOR CABLE BRACKET	1
59	00566-G2						LOCK WASHER, 7/16"	2
60	00462-G7						BOLT, 7/16 - 14 X 7/8" LG	2