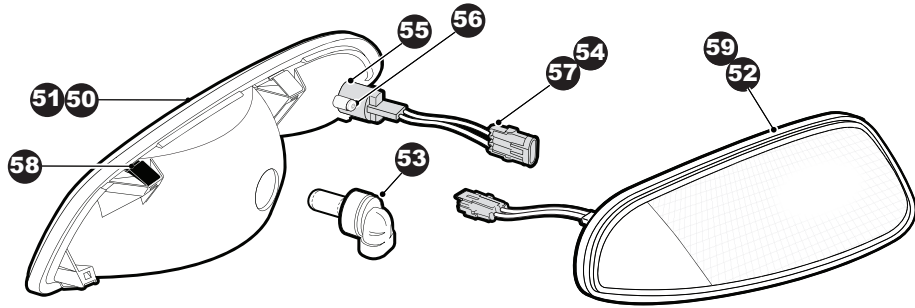
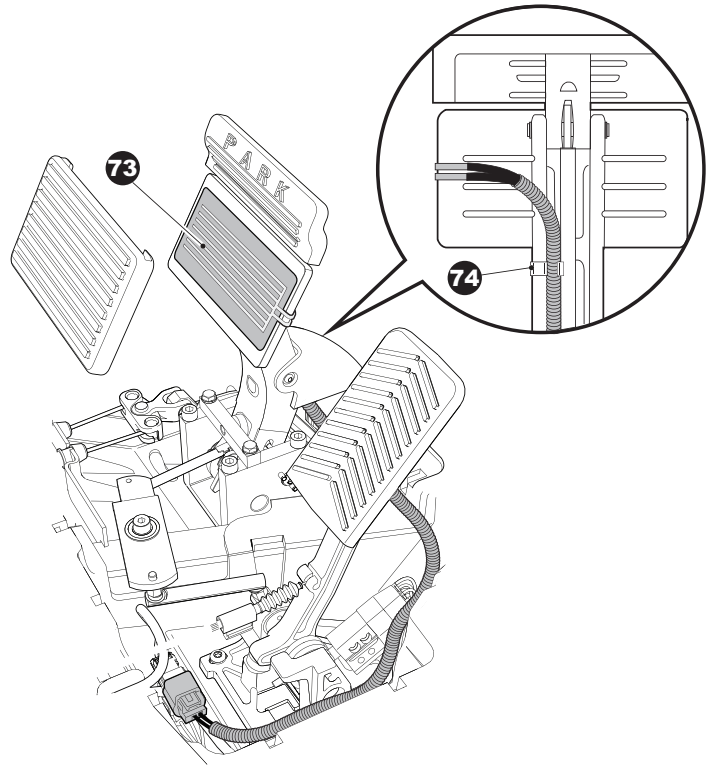


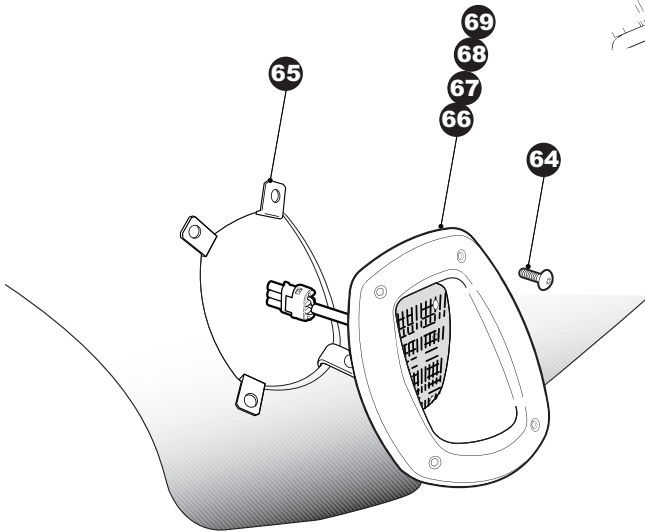
ELECTRICAL SYSTEM

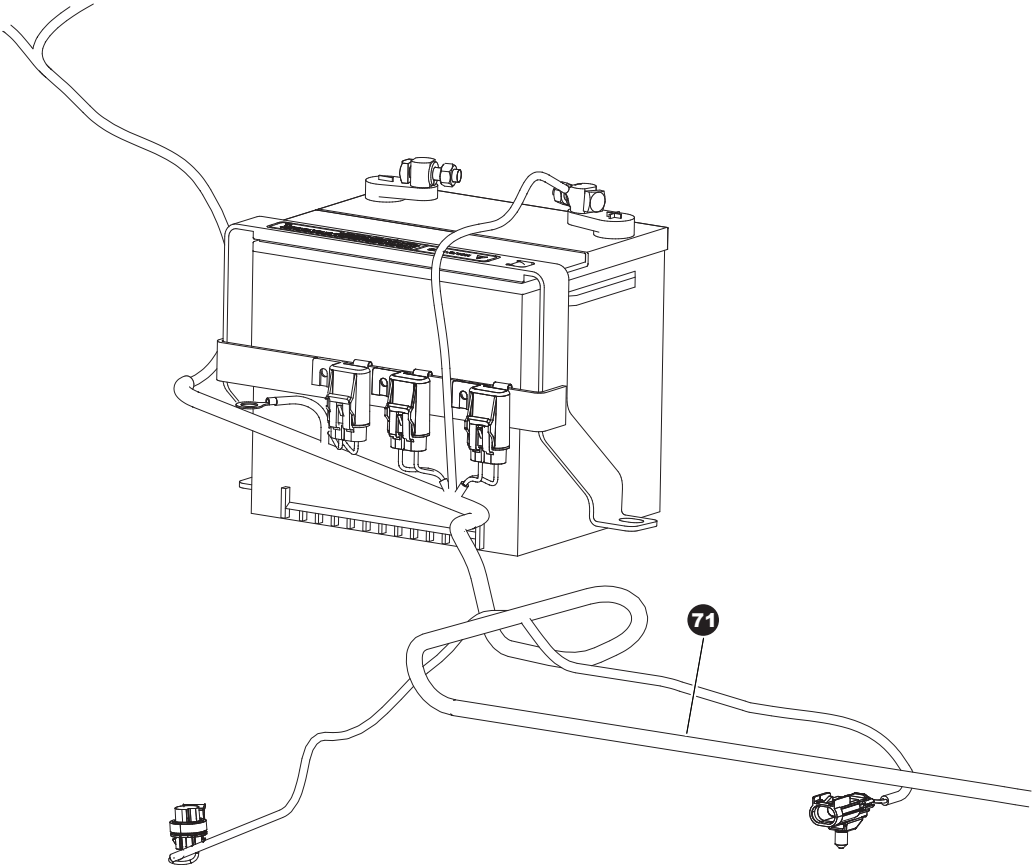


49 - Includes items 50 - 59



62 - Includes items 63 - 69





ELECTRICAL SYSTEM

Where applicable, THE USE OF NON UL PARTS WILL VOID ANY UL LISTING.

When ordering parts, please specify the model and serial number of the product.

* Indicates a component that is not available as an individual part.

G** Indicates consult Customer Service Department for additional information.

ITEM	PART NO.	1 2 3 4 5	DESCRIPTION	QTY.
1	602163		MAIN HARNESS, FLEET	1
2	24775G1		BATTERY, 12V	1
3	601832		BATTERY TIE DOWN	1
4	605957		BOSS SCREW, M8	2
5	601462		POSITIVE BATTERY CABLE (SOL - BATT+)	1
6	603874		6 GA. WIRE, (SOL - F2).....	1
7				
8				
9	603282		RELAY, 12V	1
10	27739G01		VOLTAGE REGULATOR.....	1
11	16816G1		RACHET FASTENER.....	1
12	601326		SCREW, M6 - 1.0 X 25.....	3
13	601476		NUT, M6 - 1	4
14	602053		NUT, M4	3
15	600543		SCREW, M4 - 0.7 X 12.....	3
16	602063		SCREW, M6 - 1.0 X 40.....	1
17	603390		COVER.....	1
18	600962		BRACKET	1
19				
20				
21	602070		GROUND CABLE.....	1
22	606962		CLAMP	1
23	606264		BOLT, M6 - 1.0 X 20	1
24	602572		BOLT, M10 - 1.5 - 25	1
25				
26				
27	607120		HOUR METER	1
28	603721		HOUR METER BRACKET	1
29				
30				

ELECTRICAL SYSTEM

Where applicable, THE USE OF NON UL PARTS WILL VOID ANY UL LISTING.
 When ordering parts, please specify the model and serial number of the product.
 * Indicates a component that is not available as an individual part.
 G** Indicates consult Customer Service Department for additional information.

ITEM	PART NO.	1 2 3 4 5	DESCRIPTION	QTY.
31	604015		FUEL GAUGE	1
32	604019		HEADLIGHT SWITCH.....	1
33	603623		KEY SWITCH.....	1
34				
35	607530		TURN SIGNAL SWITCH KIT (includes items 36 - 38).....	1
36	604511		TURN SIGNAL ASSEMBLY.....	1
37	20965G3		COVER	1
38	608771		RUBBER TAPE/INSULATION.....	1
39				
40	607528		HORN ASSEMBLY KIT (includes items 41- 46).....	1
41	01072G01		CLIP	2
42	601476		LOCK NUT, M6 - 1	1
43	601326		BUTTON HEAD TORX BOLT, M6 - 1 X 20	1
44	604196		HORN ASSEMBLY	1
45	604193		HORN BUTTON SWITCH ASSEMBLY	1
46	608397		HORN PLATE	1
47				
48				
49	607445		HEADLIGHT KIT (includes items 50 - 59).....	1
50	607439		HEADLIGHT ASSEMBLY, DRIVER SIDE (includes items 52 - 58)	1
51	607438		HEADLIGHT ASSEMBLY, PASSENGER SIDE (includes items 53 - 59)..	1
52	604452		GASKET, DRIVER SIDE	1
53	74004G01		HEADLIGHT BULB	1
54	604539		TURN SIGNAL BULB.....	1
55	608322		BULB RETAINER	1
56	608328		BUTTON HEAD TORX SCREW, PLASTITE.....	1
57	607487		TURN SIGNAL WIRE HARNESS	1
58	607434		HEADLIGHT RETAINING CLIP.....	4
59	607437		GASKET, PASSENGER SIDE.....	1
60				

ELECTRICAL SYSTEM

Where applicable, THE USE OF NON UL PARTS WILL VOID ANY UL LISTING.

When ordering parts, please specify the model and serial number of the product.

* Indicates a component that is not available as an individual part.

G** Indicates consult Customer Service Department for additional information.

ITEM	PART NO.	1	2	3	4	5	DESCRIPTION	QTY.
61								
62	607450						TAIL LIGHT KIT (includes items 63 - 69).....	1
63	607474						TAIL LIGHT HARDWARE KIT (INCLUDES ITEMS 64 & 65).....	1
64	601326						BUTTON HEAD TORX BOLT, M6 - 1 X 20	8
65	602409						BARRELL CLIP, M6.....	8
66	603325						TAIL LIGHT ASSEMBLY, DRIVER SIDE (includes items 68 & 69.....	1
67	603326						TAIL LIGHT ASSEMBLY, PASSENGER SIDE (includes items 68 & 69) ..	1
68	604311						TAIL LIGHT BULB	1
69	604858						TAIL LIGHT LENS	1
70								
71	603848						ACCESSORY HARNESS.....	1
72								
73	606711						BRAKE LIGHT SWITCH ASSEMBLY	1
74	606814						S-CLIP	1