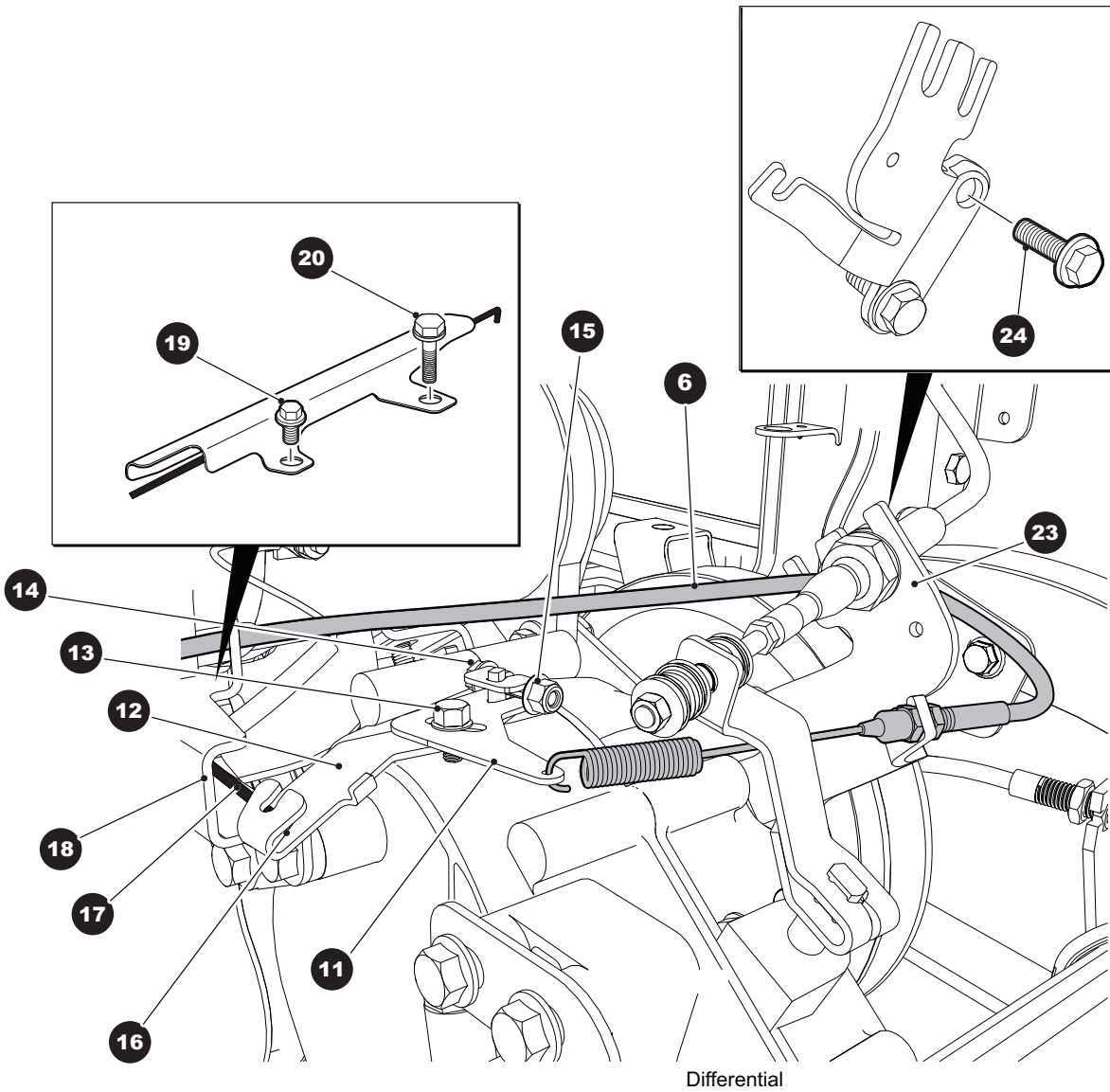


ACCELERATOR



ACCELERATOR

Where applicable, THE USE OF NON UL PARTS WILL VOID ANY UL LISTING.

When ordering parts, please specify the model and serial number of the product.

* Indicates a component that is not available as an individual part.

G** Indicates consult Customer Service Department for additional information.

| ITEM | PART NO. | 1 2 3 4 5 | DESCRIPTION | QTY. |
|------|----------|-----------|--|------|
| 1 | 604991 | | ACCELERATOR PEDAL ASSEMBLY | 1 |
| 2 | 600255 | | ACCELERATOR PEDAL COVER | 1 |
| 3 | 604536 | | BOLT, M8 - 1.25 X 20 | 1 |
| 4 | 606277 | | BOLT, M6 | 3 |
| 5 | 608290 | | BOLT, | 2 |
| 6 | 604099 | | ACCELERATOR CABLE | 1 |
| 7 | 607605 | | ACCELERATOR PEDAL SWITCH..... | 1 |
| 8 | 620030 | | SOCKET HEAD SCREW, M5 X 0.8 | 2 |
| 9 | | | | |
| 10 | | | | |
| 11 | 606083 | | UPPER GOVERNOR BRACKET | 1 |
| 12 | 606005 | | LOWER GOVERNOR BRACKET | 1 |
| 13 | 606265 | | BOLT, M6 - 1 X 12 | 1 |
| 14 | 606421 | | BOLT, M6 - 1 X 30 | 1 |
| 15 | 450452 | | NUT, M6 - 1.0 | 1 |
| 16 | 606283 | | GOVERNOR LEVER BUSHING | 1 |
| 17 | 606284 | | GOVERNOR ROD | 1 |
| 18 | 603890 | | GOVERNOR ROD GUARD | 1 |
| 19 | 606264 | | BOLT, M6 - 1 X 20 | 1 |
| 20 | 606262 | | BOLT, M8 - 1.25 X 16 | 1 |
| 21 | | | | |
| 22 | | | | |
| 23 | 606074 | | GOVERNOR CABLE/DIRECTION SELECTOR BRACKET..... | 1 |
| 24 | 606256 | | BOLT, M10 - 1.25 X 16 | 2 |