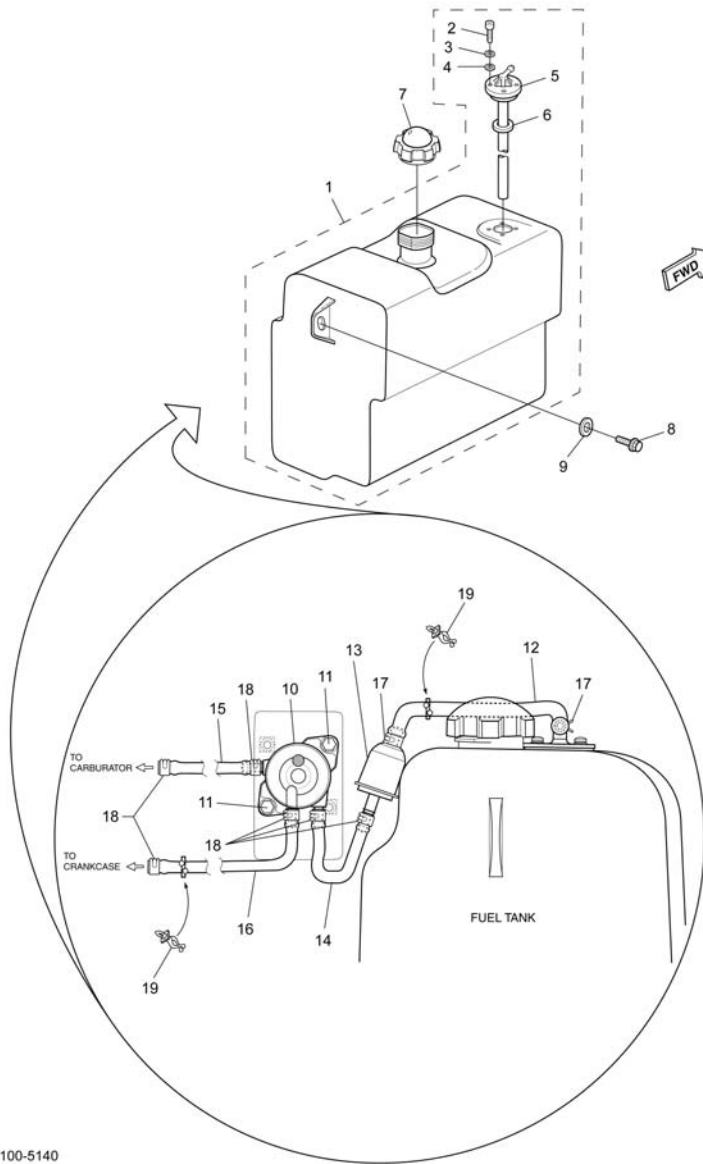


FIG. 15 FUEL TANK



REF NO.	PART NUMBER	DESCRIPTION	QTY	REMARKS
1	JN6-F4110-01-00	FUEL TANK COMP	1	
2	98507-05014-00	.SCREW, PAN HEAD	4	
3	92907-05100-00	.WASHER, LOCK	4	
4	92907-05600-00	.WASHER, PLAIN	4	
5	JN3-F4300-02-00	.FUEL PIPE JOINT	1	
6	93210-228C4-00	.O-RING	1	
7	JN6-F4610-00-00	CAP ASSY.	1	
8	90105-08878-00	BOLT, FLANGE	2	
9	90560-08251-00	SPACER	2	
10	JN6-F4410-10-00	FUEL PUMP ASSY	1	
11	JN6-F3394-00-00	BOLT, SPECIAL	2	
12	JN6-F4312-00-00	PIPE, 2	1	
13	JN6-F4560-00-00	FILTER ASSY.	1	
14	JN6-F4311-10-00	PIPE, FUEL	1	
15	JN6-F4313-10-00	PIPE, 3	1	
16	JN6-F4314-10-00	PIPE, 4	1	
17	90467-12845-00	CLIP	2	RED
18	90467-10846-00	CLIP	6	GREEN
19	90464-11816-00	CLAMP	2	

JU0100-5140

