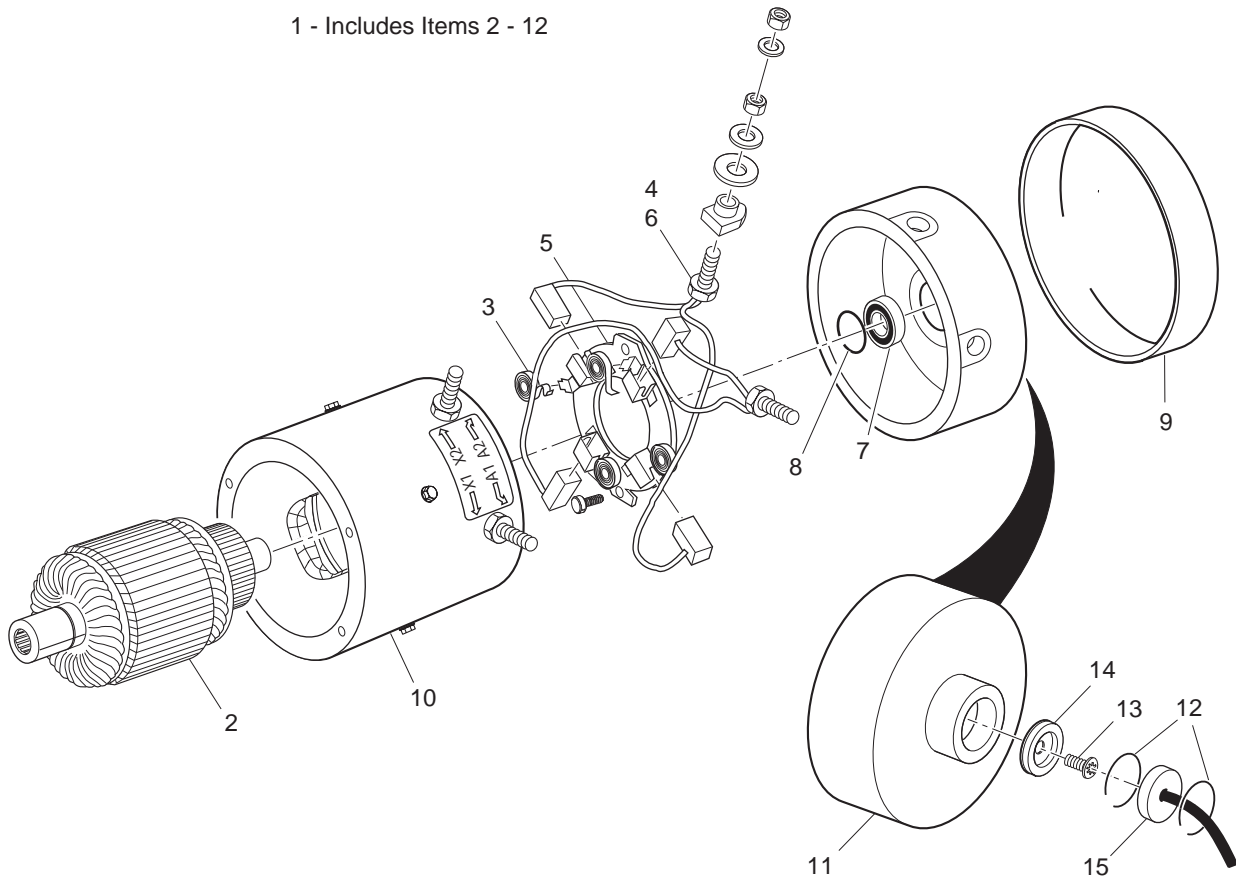


MOTOR

1 - Includes Items 2 - 12



MOTOR

THE USE OF NON U.L. PARTS WILL VOID ANY U.L. LISTING.
 When ordering parts, please specify the model and serial number of the product.
 * Indicates a component that is not available as an individual part.
 G** Indicates consult Customer Service Department for additional information.

ITEM	PART NO.	1	2	3	4	5	DESCRIPTION	QTY.
1	73291-G04						MOTOR (SEPARATELY EXCITED) (PDS) (INCLUDES ITEMS 2-12).....	1
2	73120-G36						ARMATURE	1
3	73120-G38						BRUSH SPRING.....	4
4	73120-G39						BRUSH	4
5	73120-G40						BRUSH BOX.....	1
6	73120-G41						BRUSH REPLACEMENT KIT (INCLUDES HARDWARE)	2
7	73120-G07						BEARING	1
8	73120-G06						SNAP RING	1
9	73120-G43						HEADBAND	1
10	73120-G37						FRAME AND FIELD COIL (INCLUDES HARDWARE).....	1
11	73120-G42						COVER COMMUTATOR END	1
12	73277-G01						RETAINING RING.....	1
13	01037-G02						SCREW, #10 - 32 X 1/2" LG.....	1
14	73328-G01						MAGNET	1
15	73327-G02						SPEED SENSOR.....	1